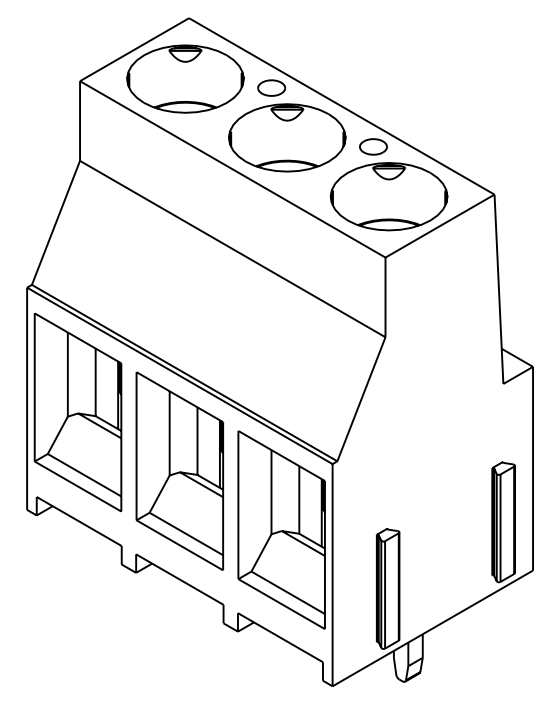
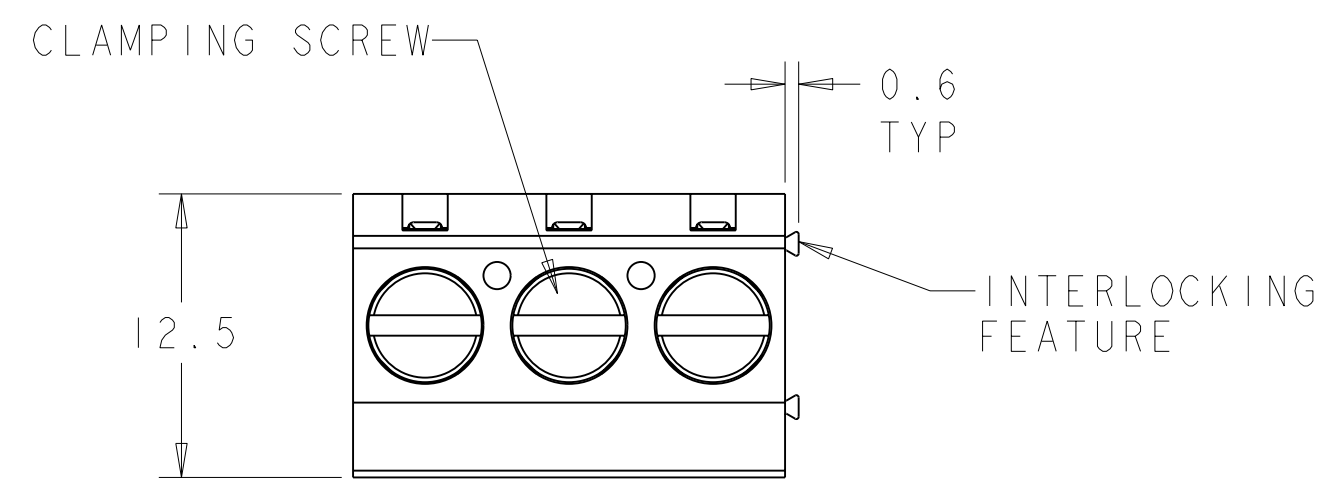


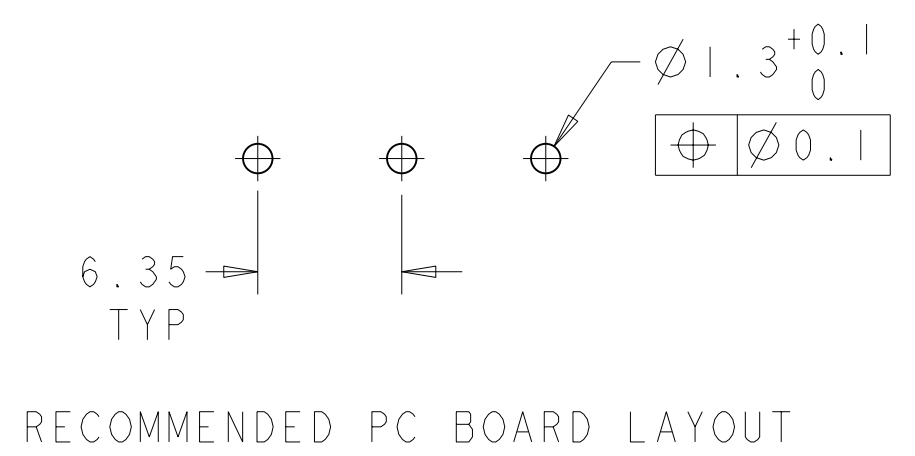
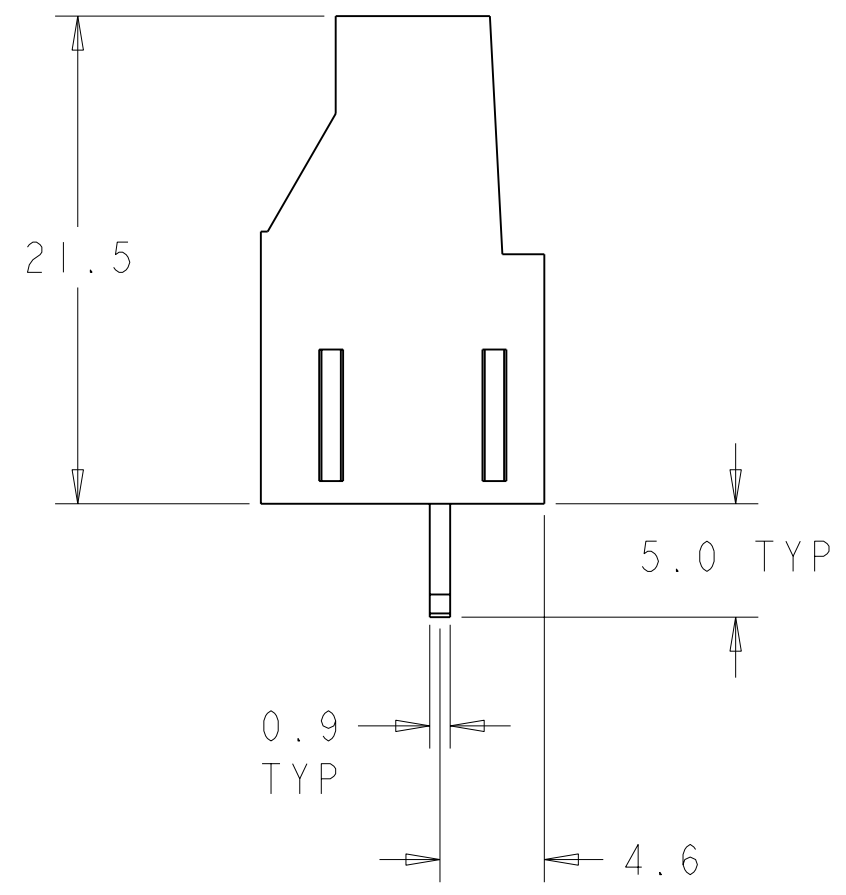
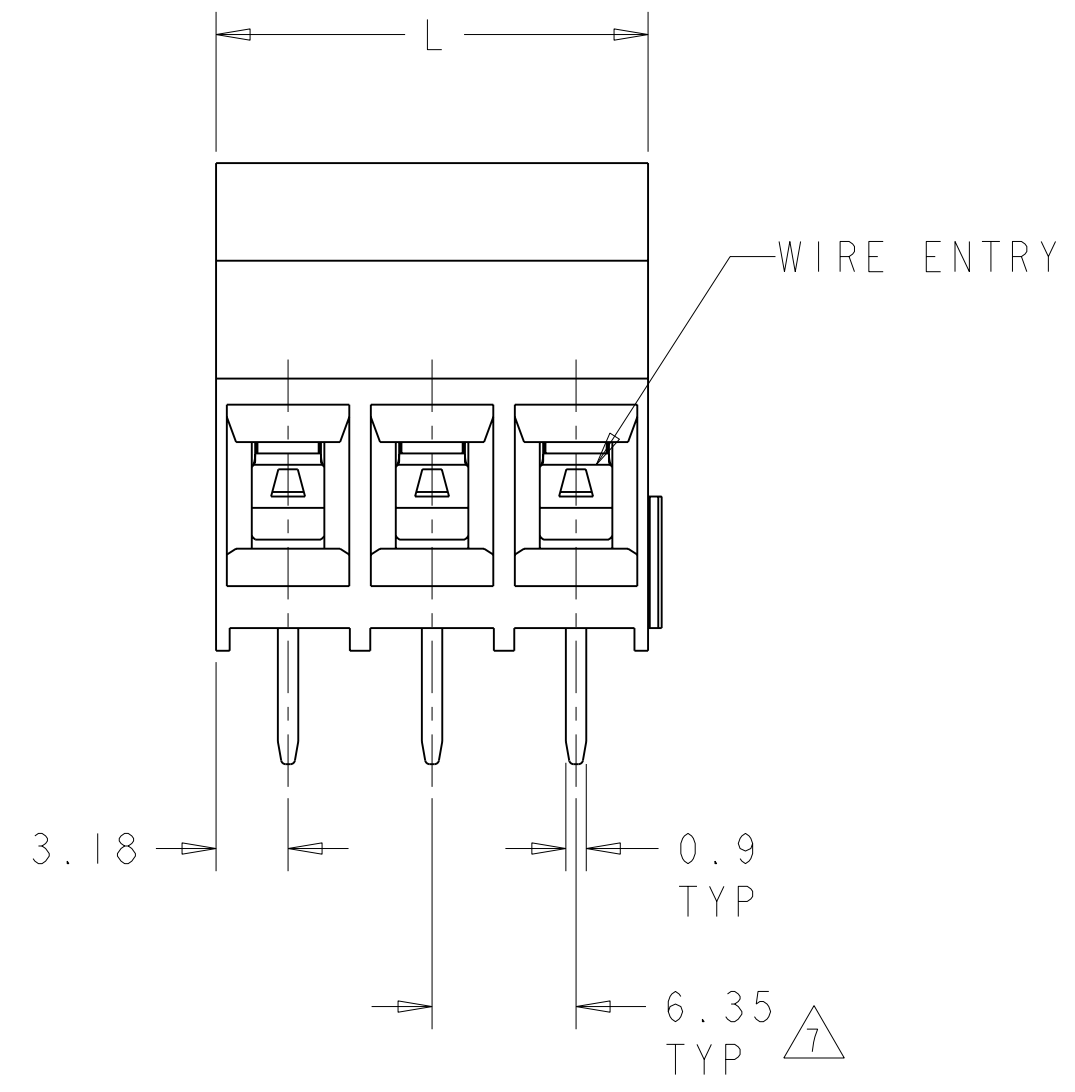
THIS DRAWING IS UNPUBLISHED. RELEASED FOR PUBLICATION 20  
 © COPYRIGHT 20 BY TYCO ELECTRONICS CORPORATION. ALL RIGHTS RESERVED.

LOC		DIST		REVISIONS			
P	LTR	DESCRIPTION	DATE	DWN	APVD		
	CI	REVISED EC0-06-007820	06APR2006	SW	CR		



- 1. MATERIALS AND FINISH  
 HOUSING: PA 6-6, UL 94-V0, COLOR: GREEN  
 CLAMP: BRASS, NICKEL PLATED.  
 CLAMPING SCREW: M3, BRASS, NICKEL PLATED.
- 2. SUITABLE FOR 3.2mm PCB THICKNESS.
- 3. END-TO-END STACKABLE W/INTERLOCK, WITHOUT LOSS OF CENTERLINE SPACING.
- 4. WIRE SIZE RANGE: 10-24 AWG.
- 5. RECOGNIZED UNDER THE COMPONENT PROGRAM OF UNDERWRITERS LABORATORY INC. FILE No. E60677.
- 6. IMQ CERTIFICATE WITH SURVIELANCE IN CONFORMITY WITH EN 60998.
- 7. NOT CUMULATIVE TOLERANCE.

796740-3 AS SHOWN



114.30	18	1-796740-8
63.50	10	1-796740-0
37.75	5	796740-5
19.05	3	796740-3
12.70	2	796740-2
L	NO OF POSN	PART NUMBER

<small>THIS DRAWING IS A CONTROLLED DOCUMENT FOR TYCO ELECTRONICS CORPORATION. IT IS SUBJECT TO CHANGE AND THE CONTROLLING ENGINEERING ORGANIZATION SHOULD BE CONTACTED FOR THE LATEST REVISION.</small>		DWN E. ZANOLINI 26MAR2001 CHK D. BIEVENOUR 26MAR2001 APVD D. BIEVENOUR 26MAR2001	<b>BUCHANAN</b> Tyco Electronics Harrisburg, PA 17105-3608
DIMENSIONS: mm	TOLERANCES UNLESS OTHERWISE SPECIFIED: 0 PLC ±0.15 1 PLC ±0.2 2 PLC ±0.2 3 PLC ± 4 PLC ± ANGLES ±2	NAME TERMINAL BLOCK, PCB MOUNT SIDE WIRE ENTRY, STACKING WITH INTERLOCK, 6.35mm PITCH	SIZE A2 CAGE CODE 00779 DRAWING NO. C=796740
MATERIAL 1	FINISH 1	PRODUCT SPEC APPLICATION SPEC WEIGHT	RESTRICTED TO CUSTOMER DRAWING SCALE 2:1 SHEET 1 OF 1 REV C1